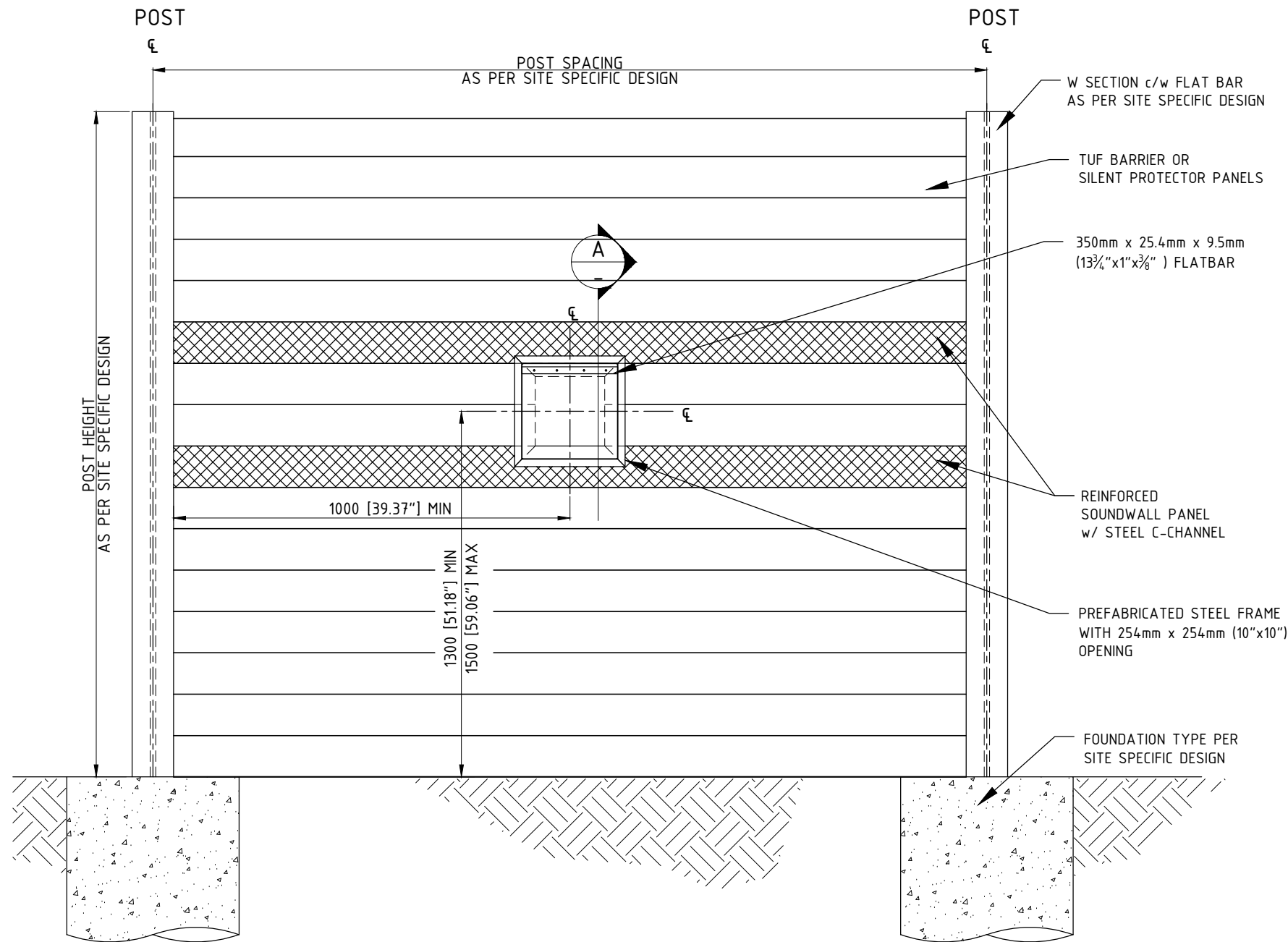
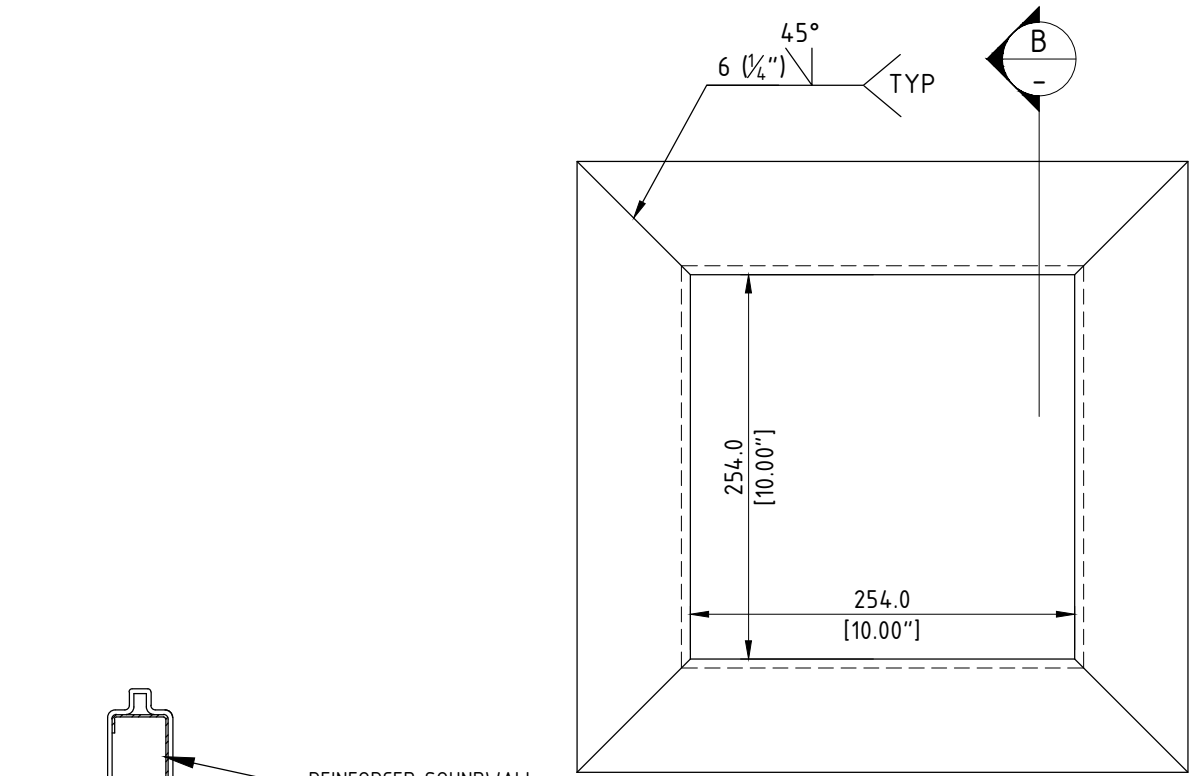


NOTES:

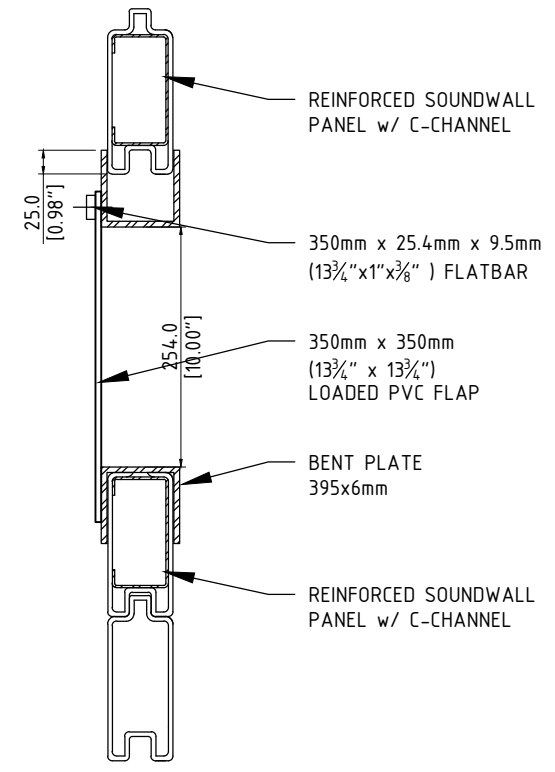
1. DIMENSIONS ARE IN MILLIMETRES [INCHES]
2. STEEL FRAME SHALL MEET SAME STEEL SPECIFICATIONS AS POSTS
3. SEALANT TO BE PROVIDED BETWEEN STEEL FRAME & SOUND BARRIER PANELS



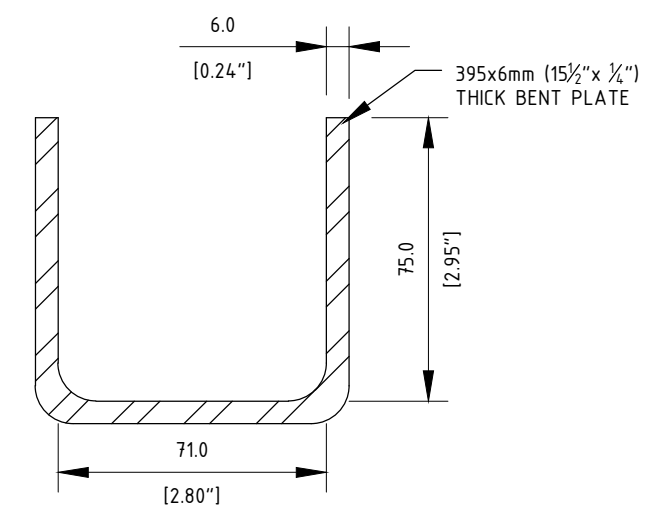
TYPICAL ELEVATION VIEW
SCALE: N.T.S.



1 **DETAIL - FIRE HOSE ACCESS FRAME**
SCALE: N.T.S.



A **SECTION - TYPICAL CROSS SECTION**
SCALE: N.T.S.



B **SECTION - TYPICAL CROSS SECTION**
SCALE: N.T.S.

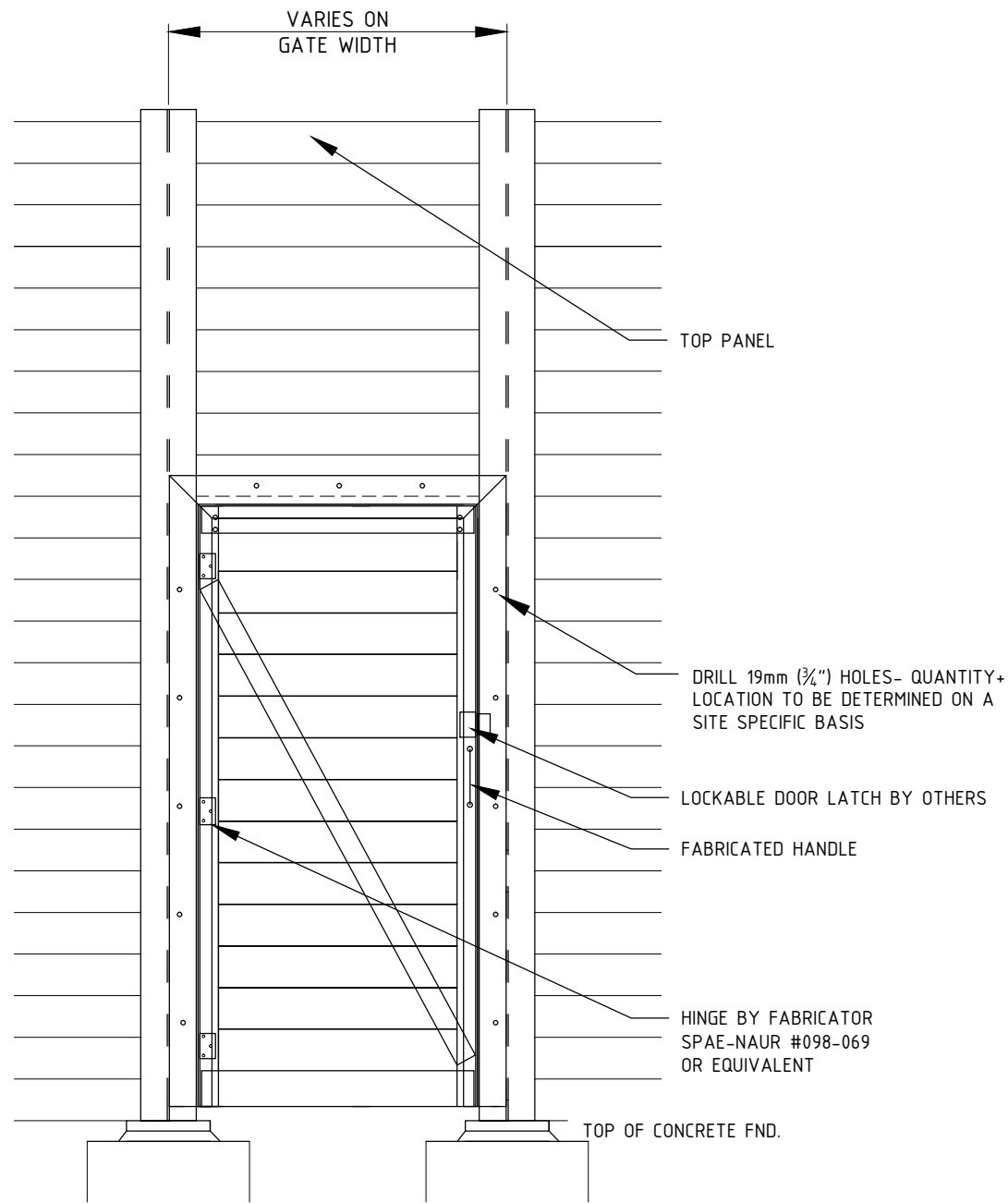
REV NO.	DATE	BY	DESCRIPTION
1	1 DEC 2016	P.S.	GENERAL REVISION
0	30 NOV 12	R.E.	ISSUED AS STANDARD



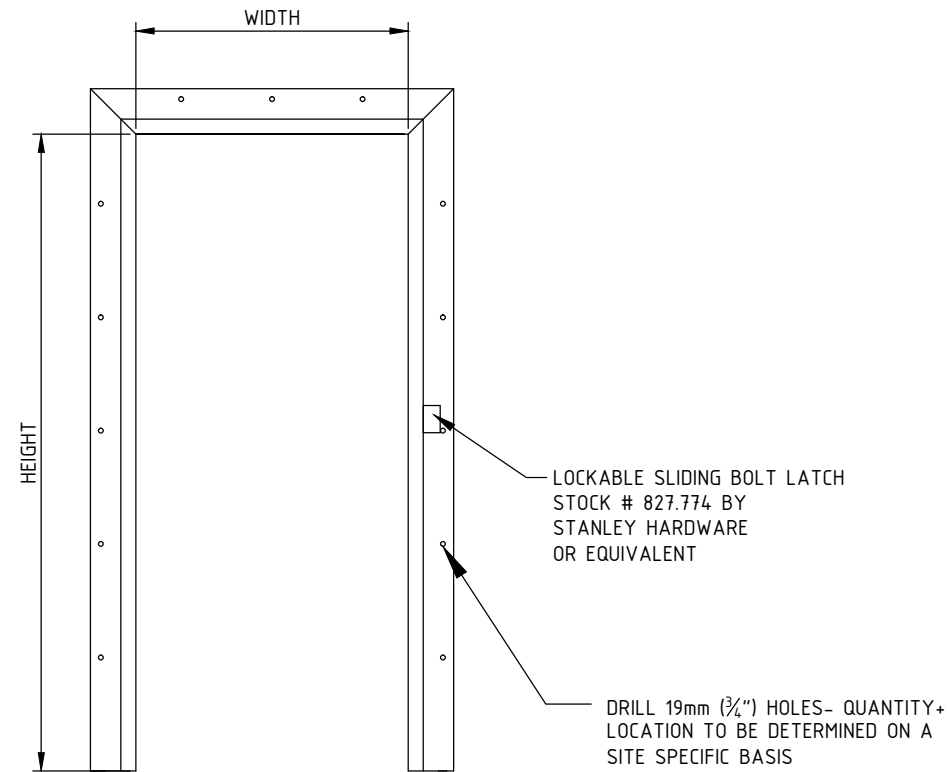
CALL TOLL FREE IN NORTH AMERICA
1-866-231-7867
www.ailsoundwalls.com www.ail.ca

SOUNDWALLS - STANDARD DRAWING
ACCESSORIES
FIRE HOSE ACCESS DETAILS

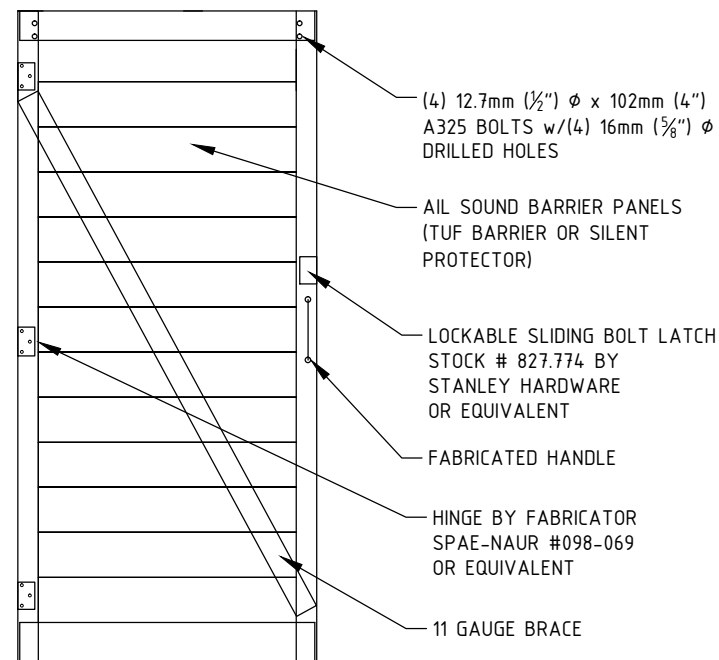
DESIGNED -	DES. CHK -	BRANCH P.O. -	CUSTOMER REF. -
DRAWN BY R.E.	23 OCT 12	PROJECT NUMBER	STD DRAWING
DWG. CHK P.A.S.	30 NOV 12	DWG. NO. SW-400	REV. 1



TYPICAL GATE ASSEMBLY ELEVATION
SCALE: N.T.S.



TYPICAL GATE FRAME DETAIL
SCALE: N.T.S.



TYPICAL GATE DOOR DETAIL
SCALE: N.T.S.

STANDARD SINGLE GATE SIZES	GATE WIDTH	GATE HEIGHT
	914mm (3'-0")	2134mm (7'-0")
		2438mm (8'-0")
		2743mm (9'-0")
		3048mm (10'-0")
	1067mm (3'-6")	2134mm (7'-0")
		2438mm (8'-0")
		2743mm (9'-0")
	1219mm (4'-0")	3048mm (10'-0")
		2134mm (7'-0")
		2438mm (8'-0")
	1372mm (4'-6")	2743mm (9'-0")
3048mm (10'-0")		
2134mm (7'-0")		
1524mm (5'-0")	2438mm (8'-0")	
	2743mm (9'-0")	
	3048mm (10'-0")	

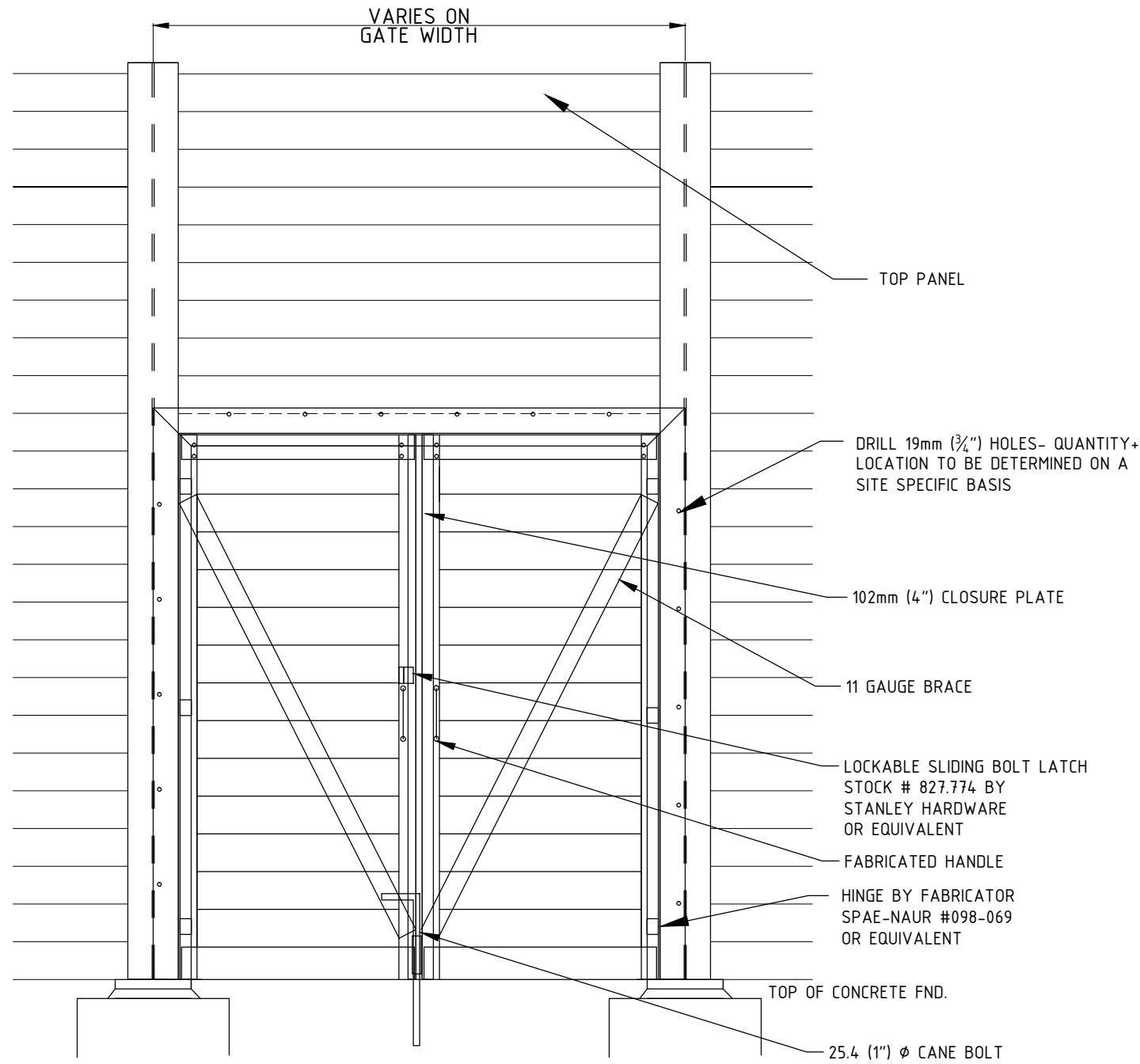
REV NO.	DATE	BY	DESCRIPTION
1	1 DEC 16	P.S.	GENERAL REVISIONS
0	30 NOV 12	R.E.	ISSUED AS STANDARD



CALL TOLL FREE IN NORTH AMERICA
1-866-231-7867
www.ailsoundwalls.com www.ail.ca

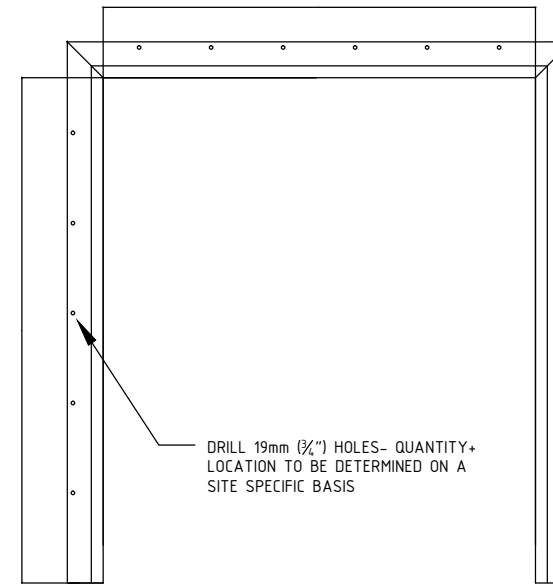
SOUNDWALLS - STANDARD DRAWING
ACCESSORIES
SINGLE DOOR GATE ASSEMBLY DETAILS

DESIGNED -	-	BRANCH P.O. -	CUSTOMER REF. -
DES. CHK -	-		
DRAWN BY R.E.	23 OCT 12	PROJECT NUMBER	STD DRAWING
DWG. CHK P.A.S	30 NOV 12		DWG NO. SW-410
			REV. 1



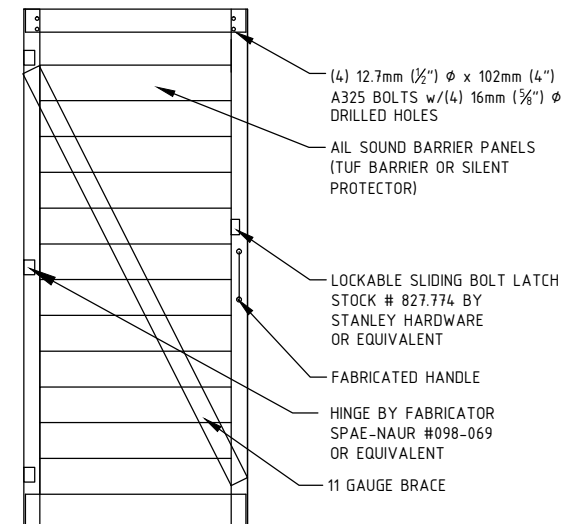
TYPICAL GATE ASSEMBLY ELEVATION

SCALE: N.T.S.



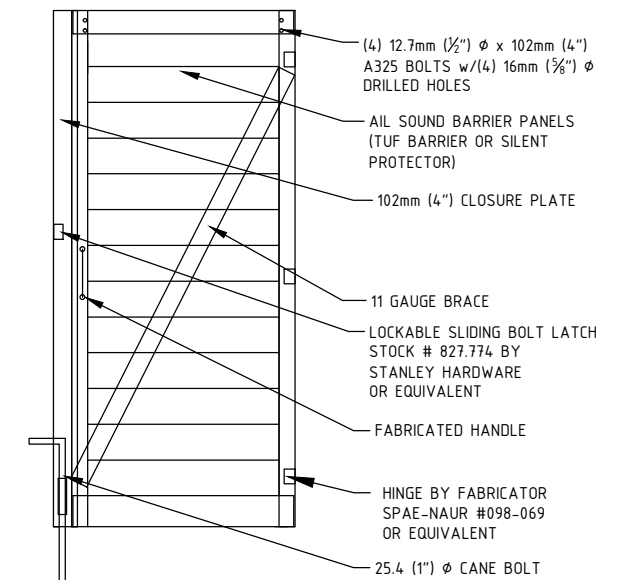
TYPICAL GATE FRAME DETAIL

SCALE: N.T.S.



TYPICAL LEFT GATE DOOR DETAIL

SCALE: N.T.S.



TYPICAL RIGHT GATE DOOR DETAIL

SCALE: N.T.S.

GATE WIDTH	GATE HEIGHT	
	2134mm (7'-0")	2438mm (8'-0")
1829mm (6'-0")	2134mm (7'-0")	2438mm (8'-0")
	2438mm (8'-0")	2743mm (9'-0")
	3048mm (10'-0")	3048mm (10'-0")
2134mm (7'-0")	2134mm (7'-0")	2438mm (8'-0")
	2438mm (8'-0")	2743mm (9'-0")
	3048mm (10'-0")	3048mm (10'-0")
2438mm (8'-0")	2134mm (7'-0")	2438mm (8'-0")
	2438mm (8'-0")	2743mm (9'-0")
	3048mm (10'-0")	3048mm (10'-0")
2743mm (9'-0")	2134mm (7'-0")	2438mm (8'-0")
	2438mm (8'-0")	2743mm (9'-0")
	3048mm (10'-0")	3048mm (10'-0")
3048mm (10'-0")	2134mm (7'-0")	2438mm (8'-0")
	2438mm (8'-0")	2743mm (9'-0")
	3048mm (10'-0")	3048mm (10'-0")

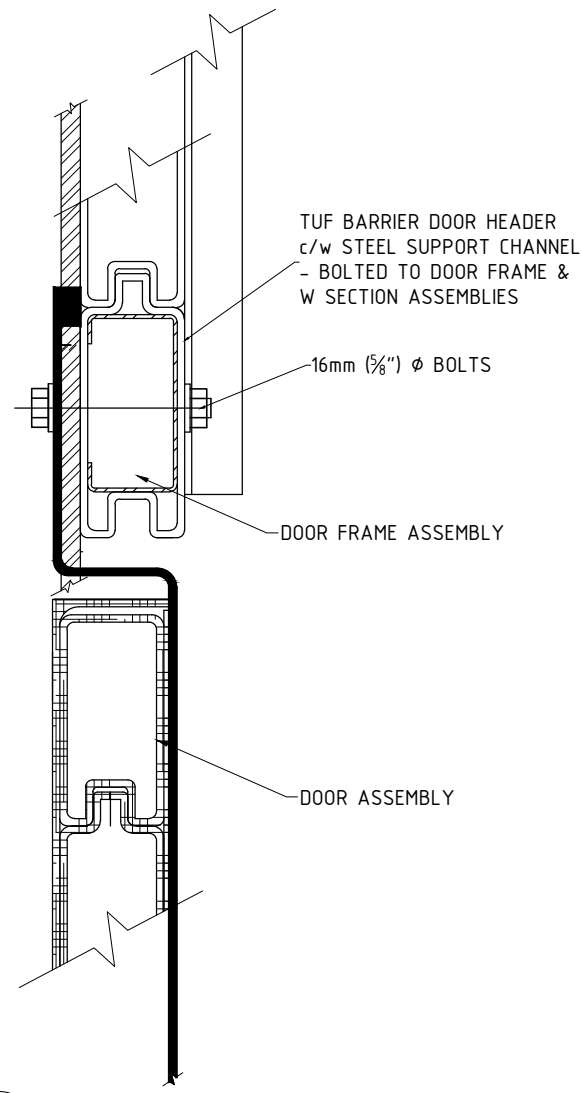
REV NO.	DATE	BY	DESCRIPTION
0	30 NOV 12	R.E.	ISSUED AS STANDARD



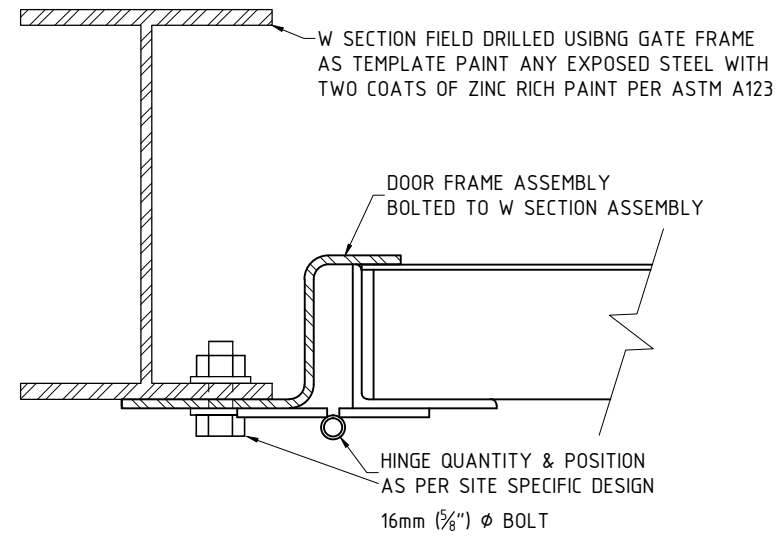
CALL TOLL FREE IN NORTH AMERICA
1-866-231-7867
www.ailsoundwalls.com www.ail.ca

SOUNDWALLS - STANDARD DRAWING
ACCESSORIES
DOUBLE DOOR GATE ASSEMBLY DETAILS

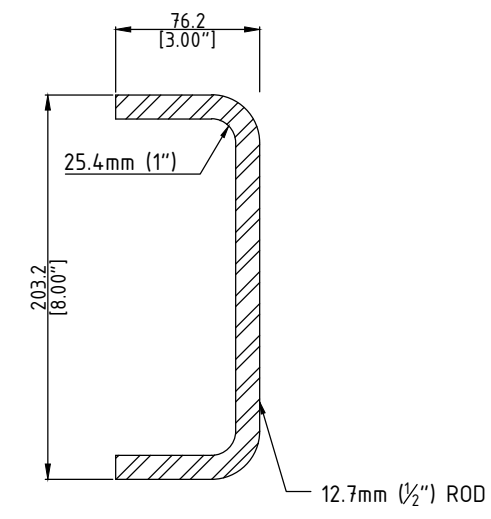
DESIGNED - -	BRANCH P.O. -	CUSTOMER REF. -
DES. CHK - -		
DRAWN BY R.E. 23 OCT 12	PROJECT NUMBER	DWG NO. SW-411
DWG. CHK P.A.S. 30 NOV 12	STD DRAWING	REV. 0



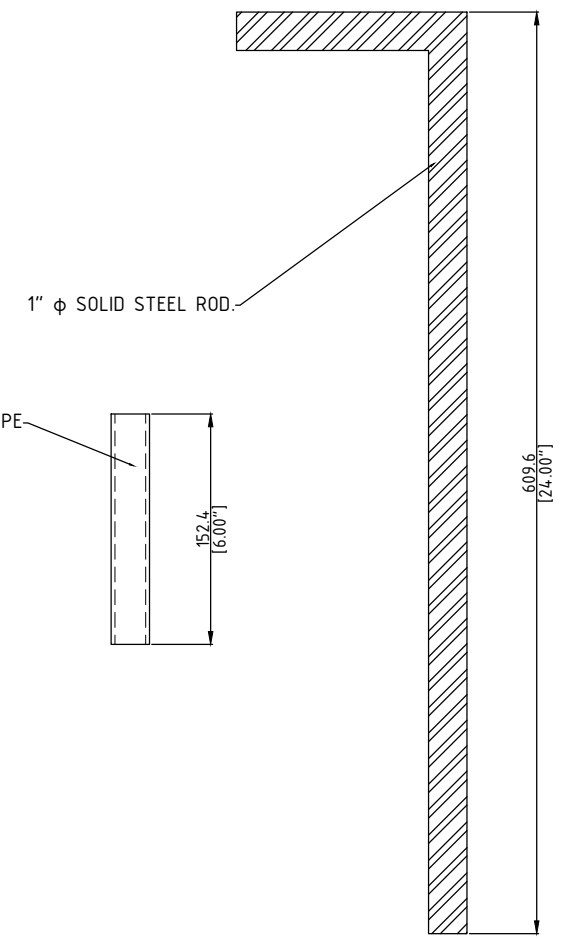
1 - TYPICAL TOP CROSS SECTION
SW-412 SCALE: N.T.S.



2 - TYPICAL SIDE CROSS SECTION
SW-412 SCALE: N.T.S.



1 HANDLE DETAIL
412 SCALE: N.T.S.



2 DETAIL- CANE BOLT
SW-412 SCALE: N.T.S.

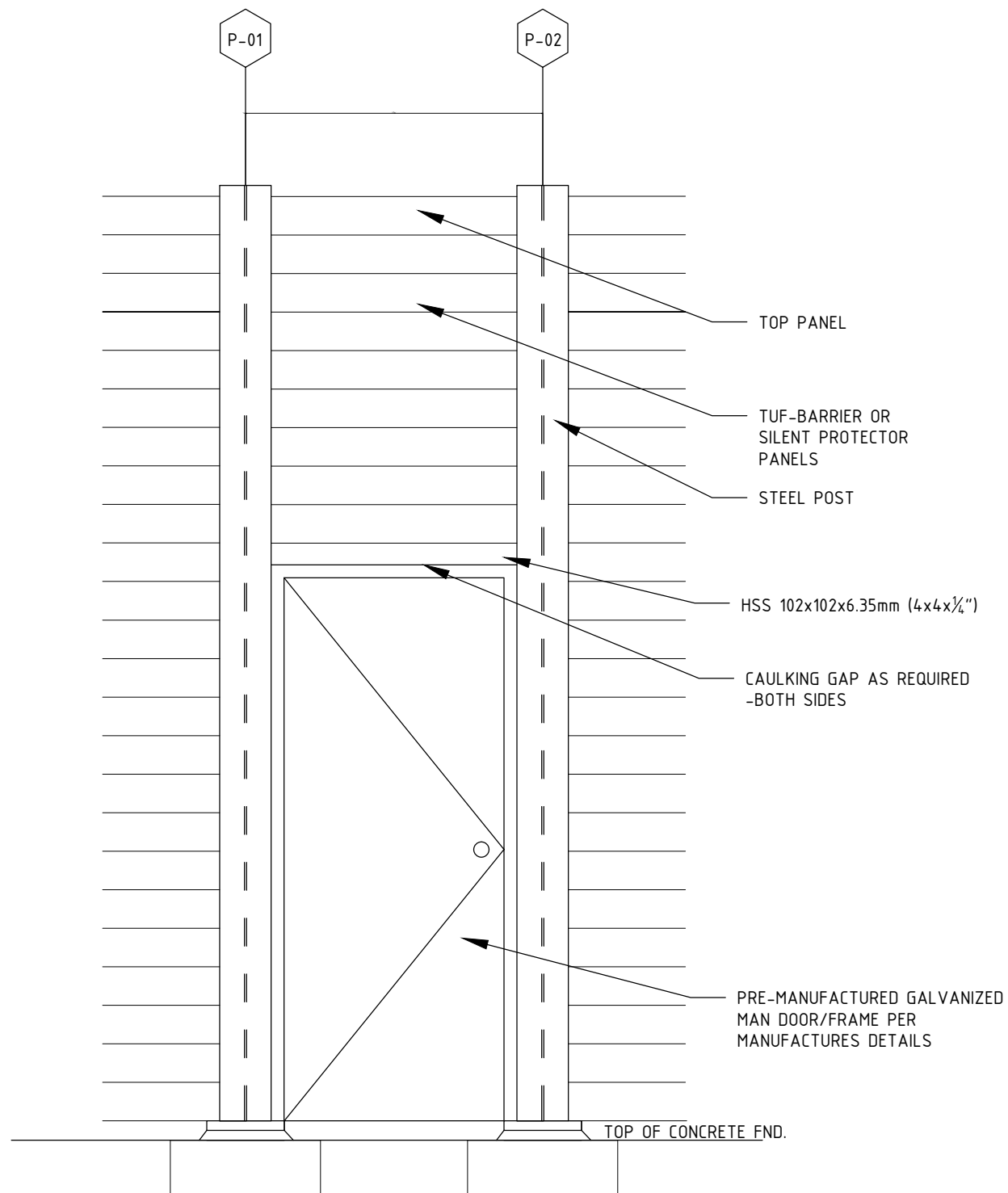
REV NO.	DATE	BY	DESCRIPTION
0	30 NOV 12	R.E.	ISSUED AS STANDARD



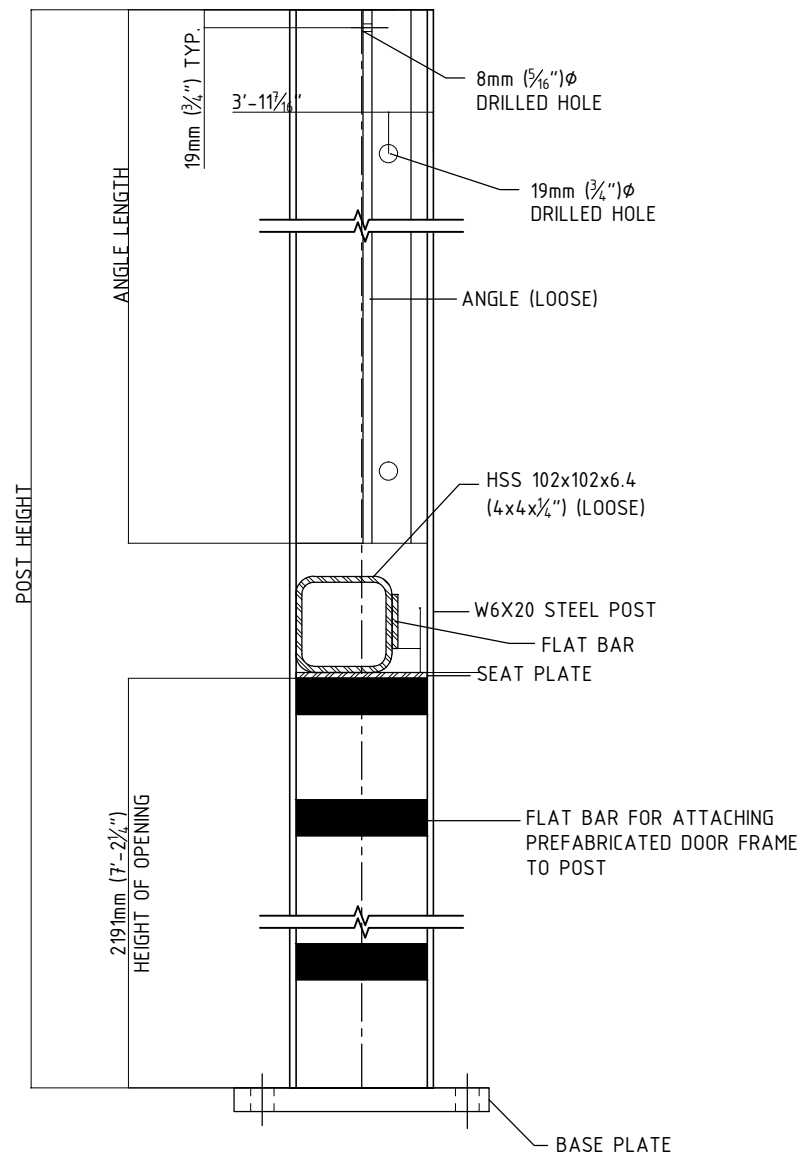
CALL TOLL FREE IN NORTH AMERICA
1-866-231-7867
www.ailsoundwalls.com www.ail.ca

SOUNDWALLS - STANDARD DRAWING
ACCESSORIES
DOOR FRAME CROSS SECTION

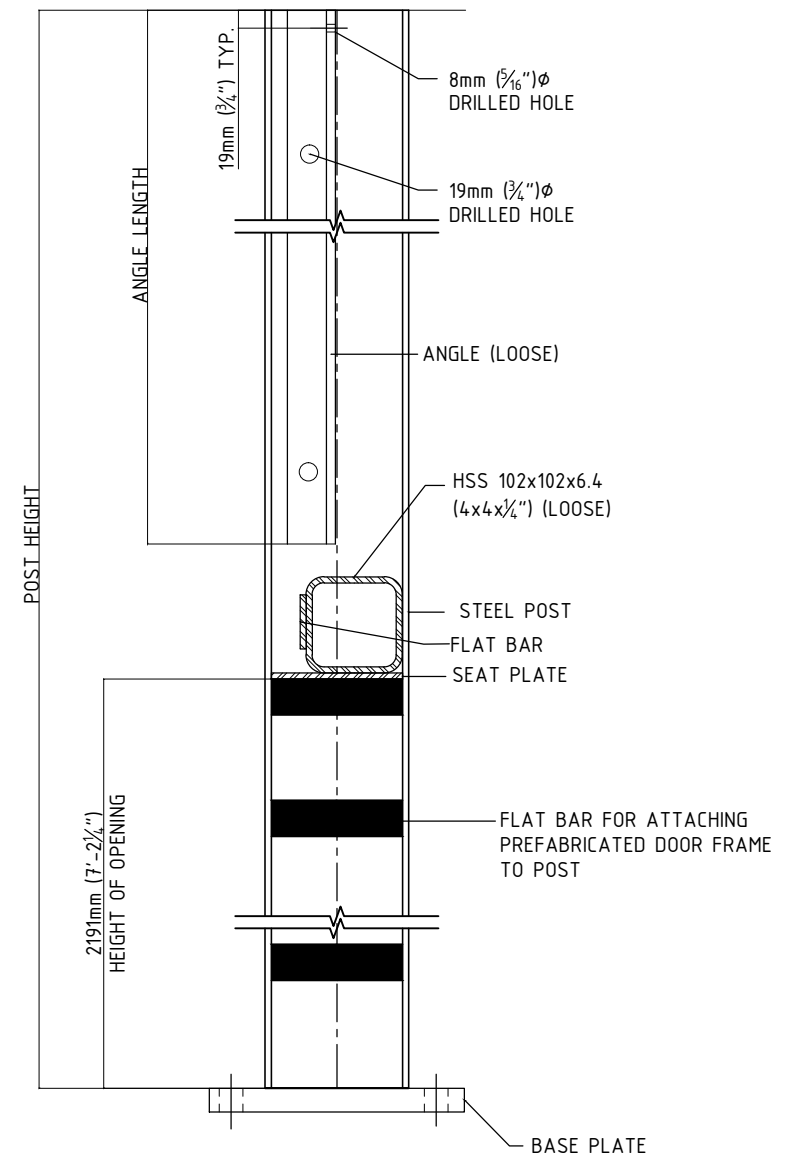
DESIGNED -	-	BRANCH P.O.	CUSTOMER REF.
DES. CHK -	-	-	-
DRAWN BY R.E.	23 OCT 12	PROJECT NUMBER	STD DRAWING
DWG. CHK P.A.S	30 NOV 12	DWG. NO. SW-412	REV. 0



TYPICAL PRE-MANUFACTURED MAN DOOR ASSEMBLY ELEVATION
SCALE: N.T.S.



POST 1 DETAIL - SIDE VIEW
SCALE N.T.S.



POST 2 DETAIL - SIDE VIEW
SCALE N.T.S.

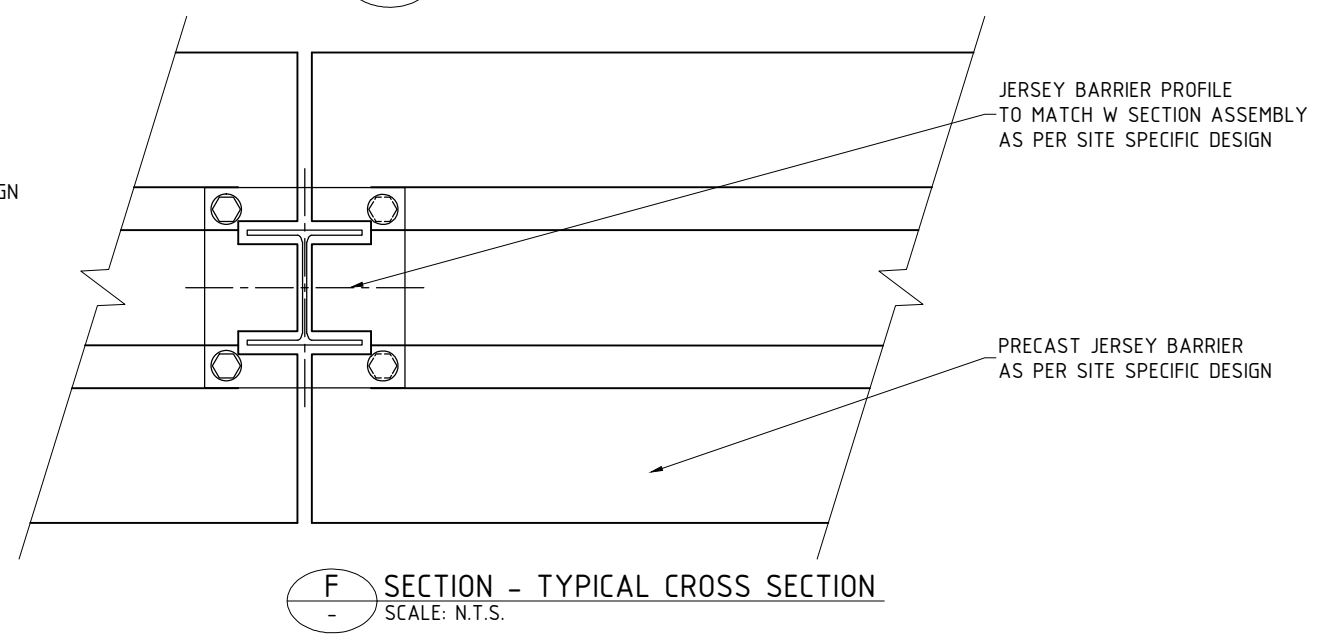
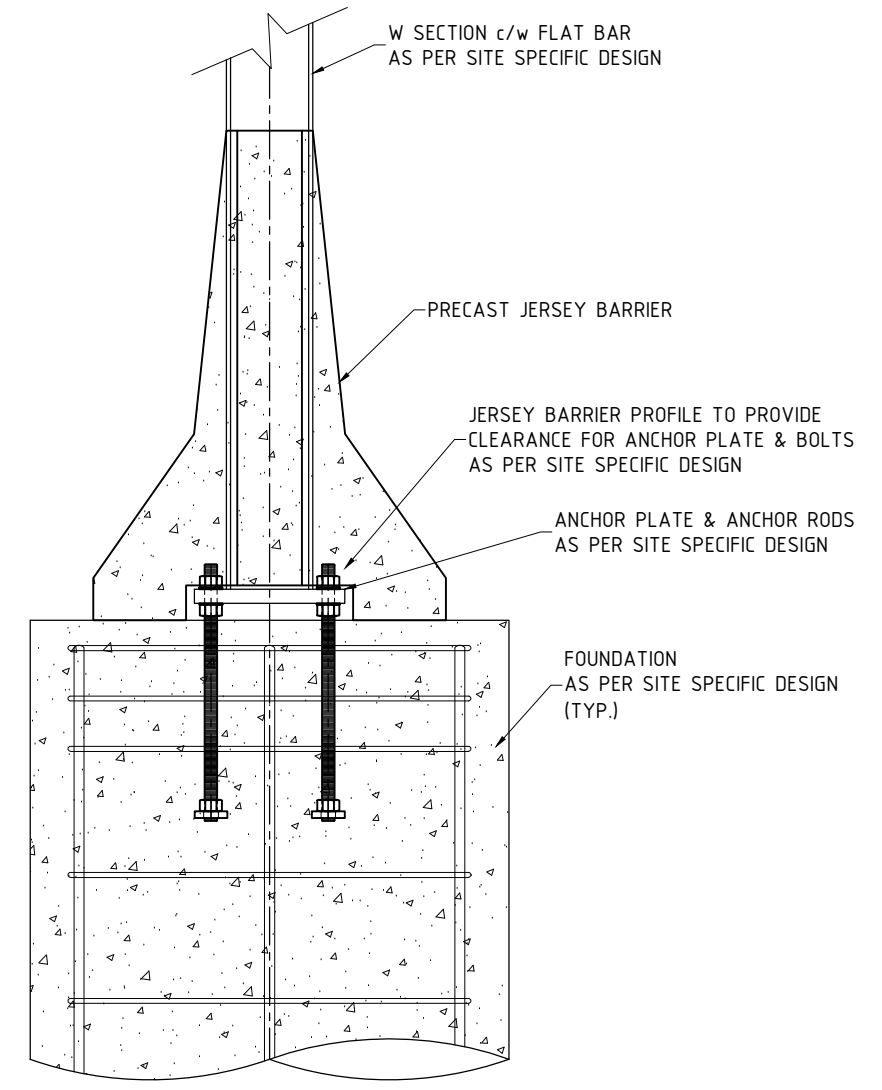
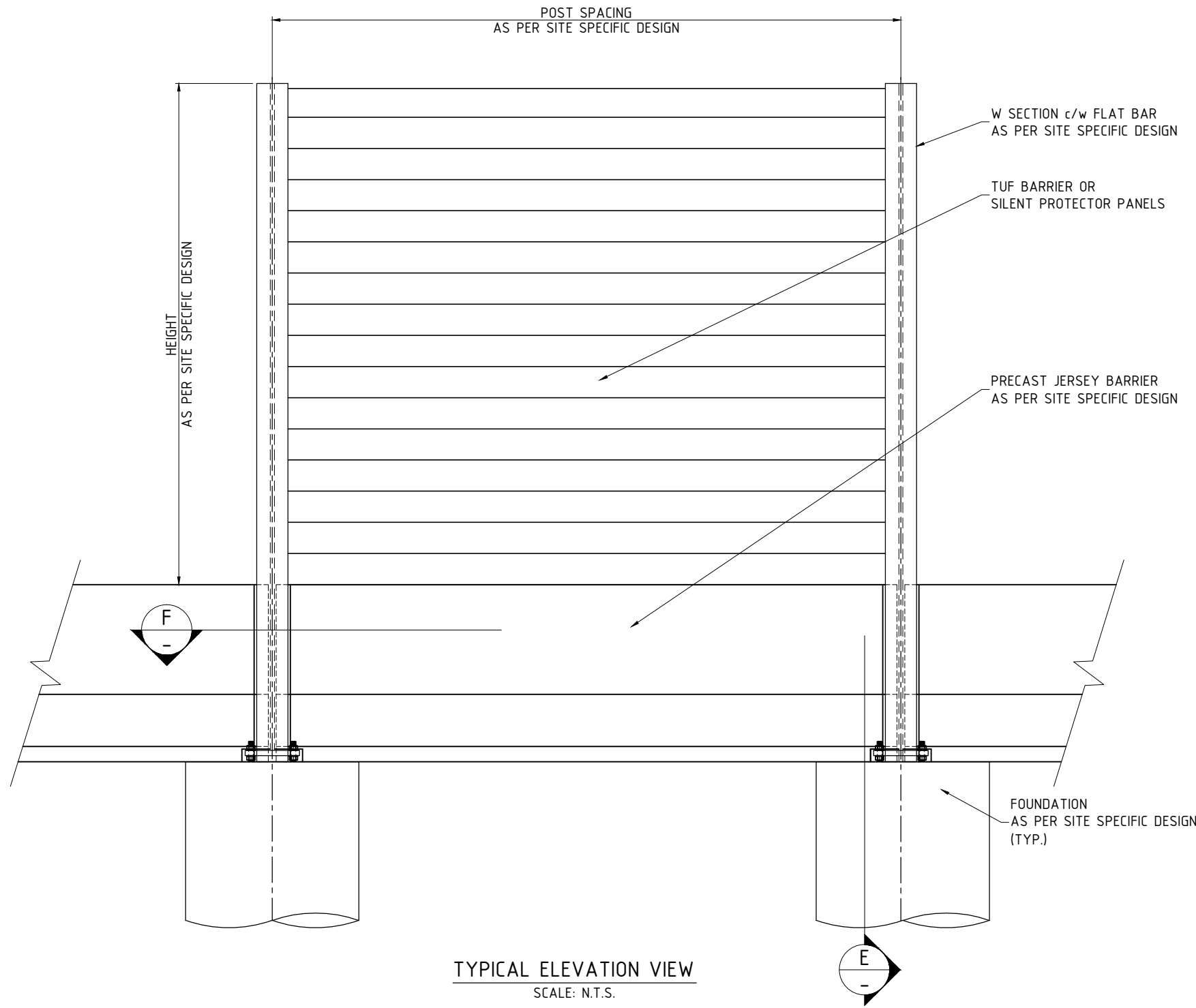
REV NO.	DATE	BY	DESCRIPTION
0	1 DEC 16	P.S.	ISSUED AS STANDARD



CALL TOLL FREE IN NORTH AMERICA
1-866-231-7867
www.ailsoundwalls.com www.ail.ca

SOUNDWALLS - STANDARD DRAWING
ACCESSORIES
PRE-MANUFACTURED MAN DOOR DETAILS

DESIGNED - -	BRANCH P.O. -	CUSTOMER REF. -
DES. CHK - -		
DRAWN BY R.E. 23 OCT 12	PROJECT NUMBER	DWG. NO. SW-415
DWG. CHK P.A.S. 30 NOV 12	STD DRAWING	REV. 0



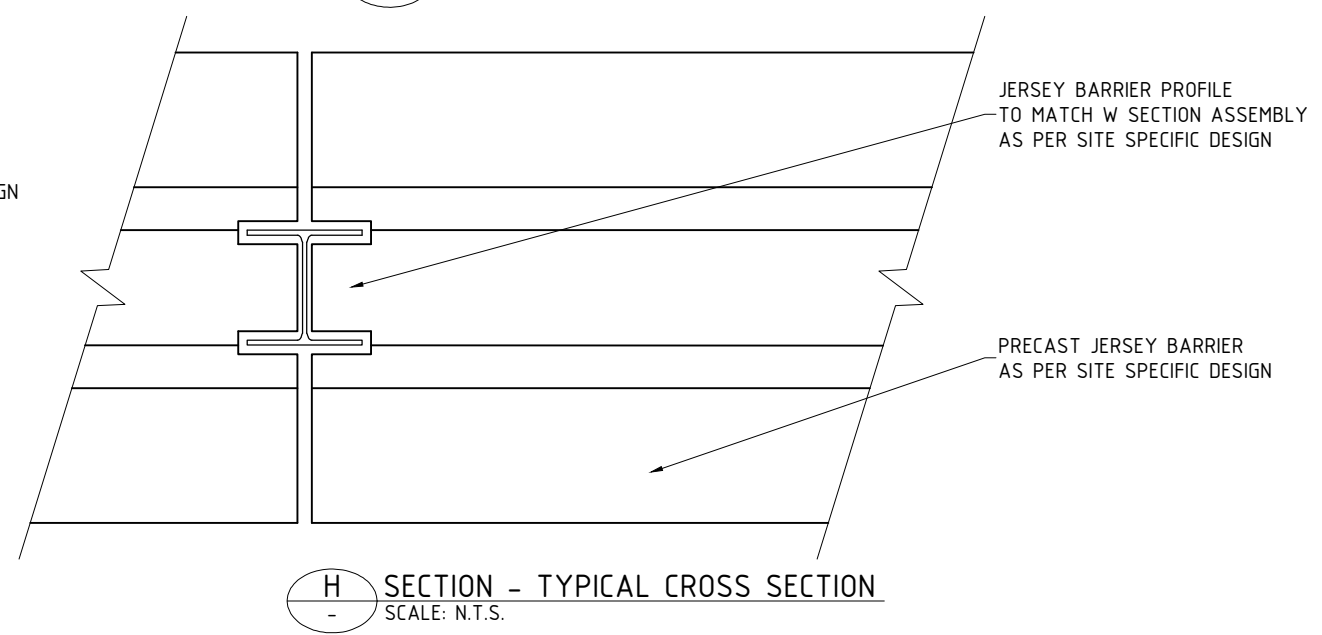
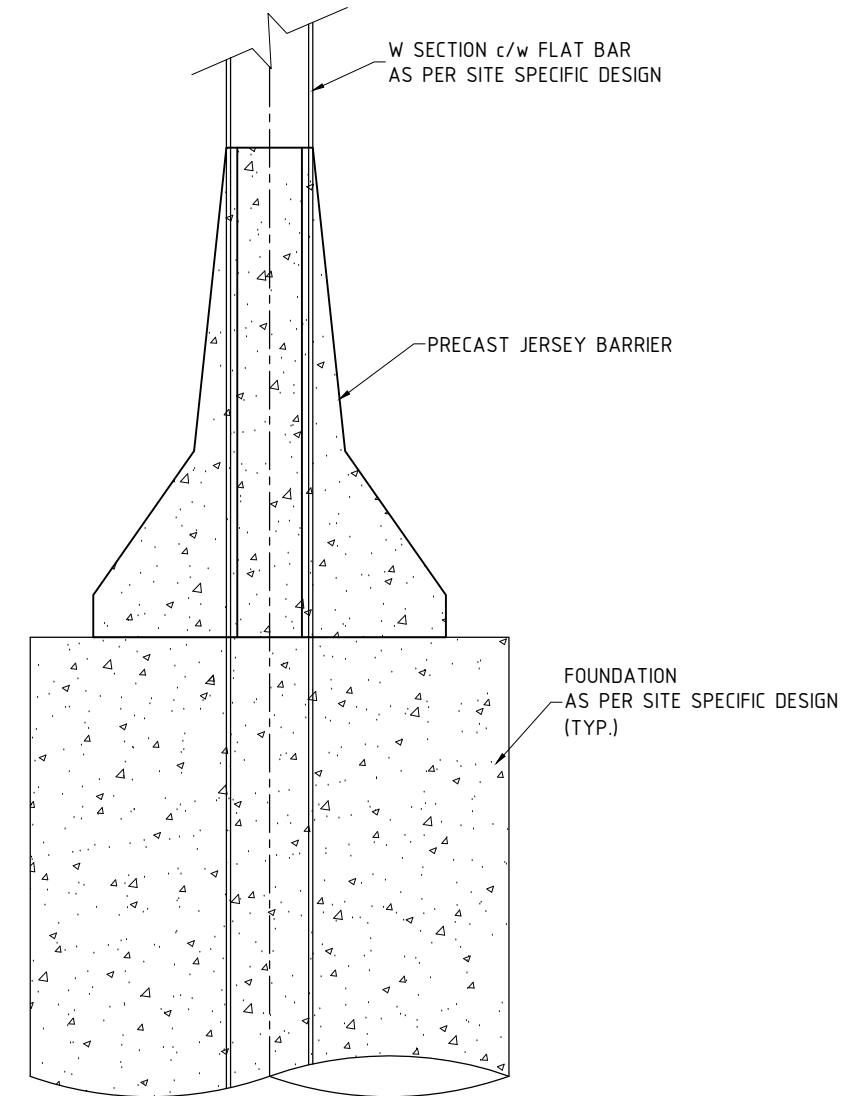
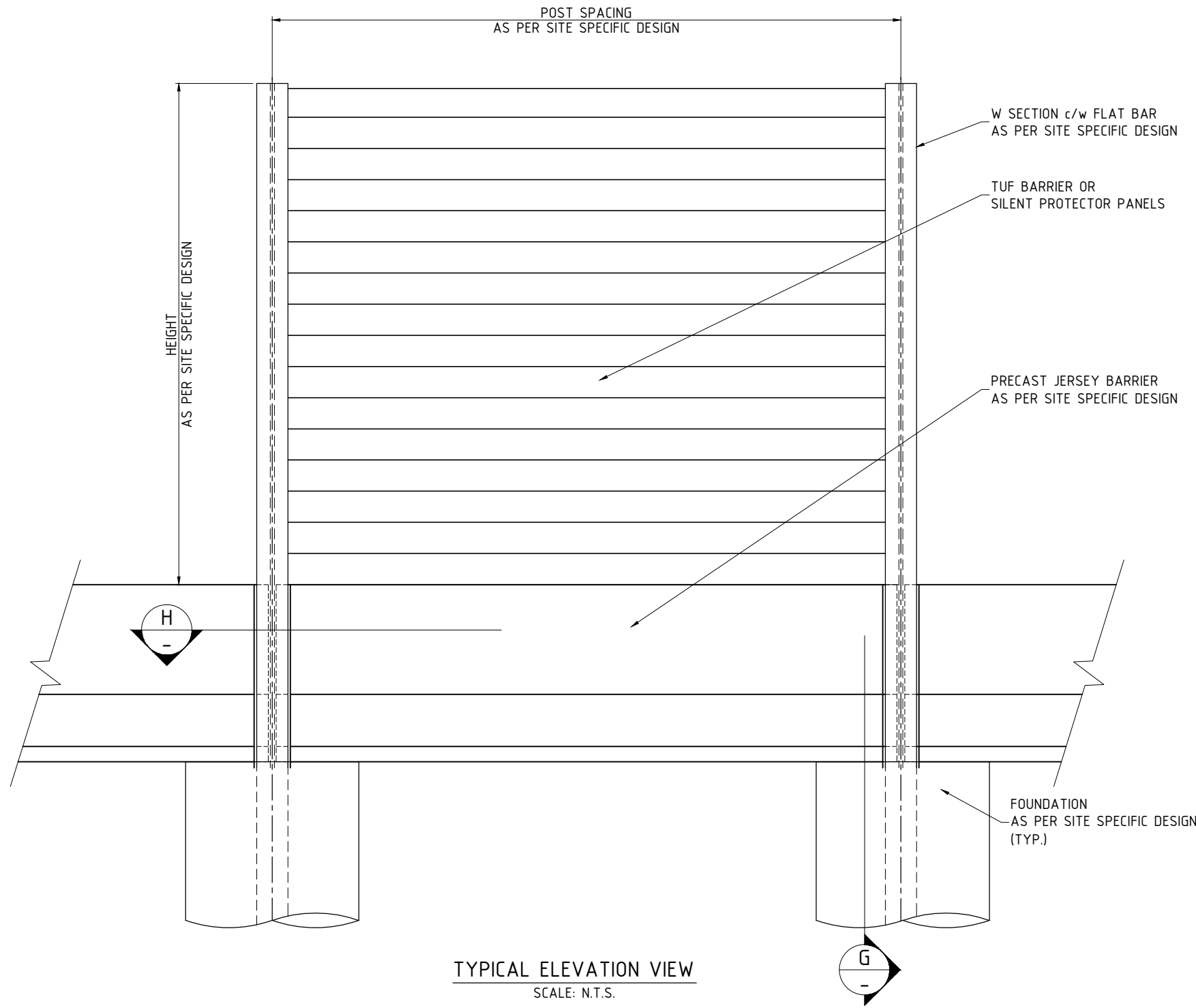
REV NO.	DATE	BY	DESCRIPTION
0	30 NOV 12	R.E.	ISSUED AS STANDARD



CALL TOLL FREE IN NORTH AMERICA
1-866-231-7867
www.ailsoundwalls.com www.ail.ca

SOUNDWALLS - STANDARD DRAWING
ACCESSORIES
JERSEY BARRIER DETAILS - FLANGE MOUNTED POST

DESIGNED	-	-	BRANCH P.O.	CUSTOMER REF.
DES. CHK	-	-		
DRAWN BY	R.E.	23 OCT 12	PROJECT NUMBER	STD DRAWING
DWG. CHK	P.A.S	30 NOV 12		DWG. NO. SW-420
				REV. 0



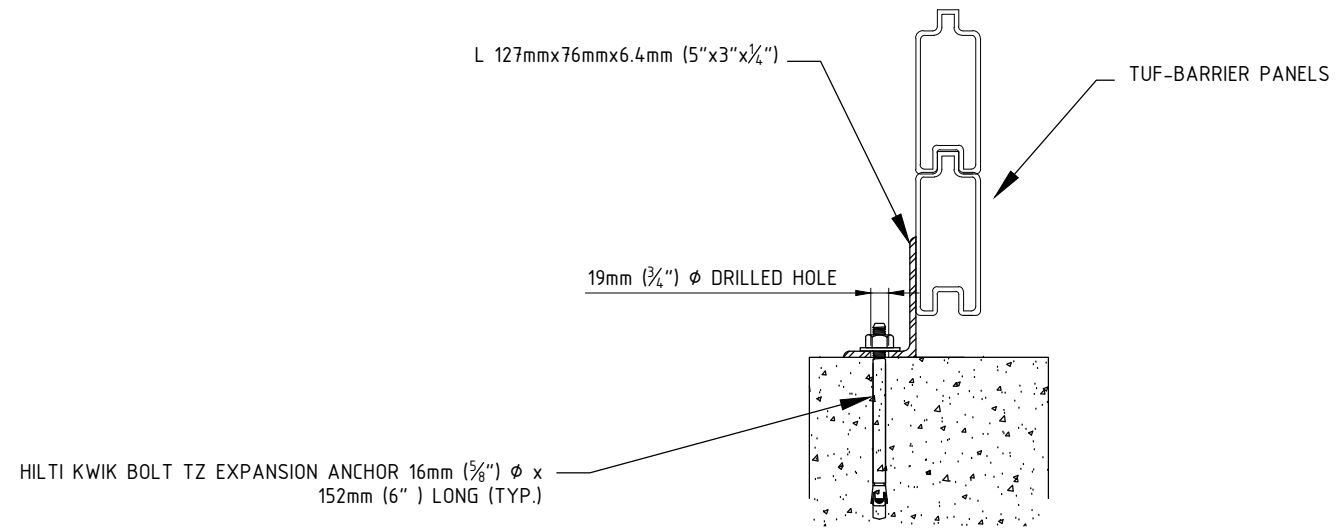
REV NO.	DATE	BY	DESCRIPTION
0	30 NOV 12	R.E.	ISSUED AS STANDARD



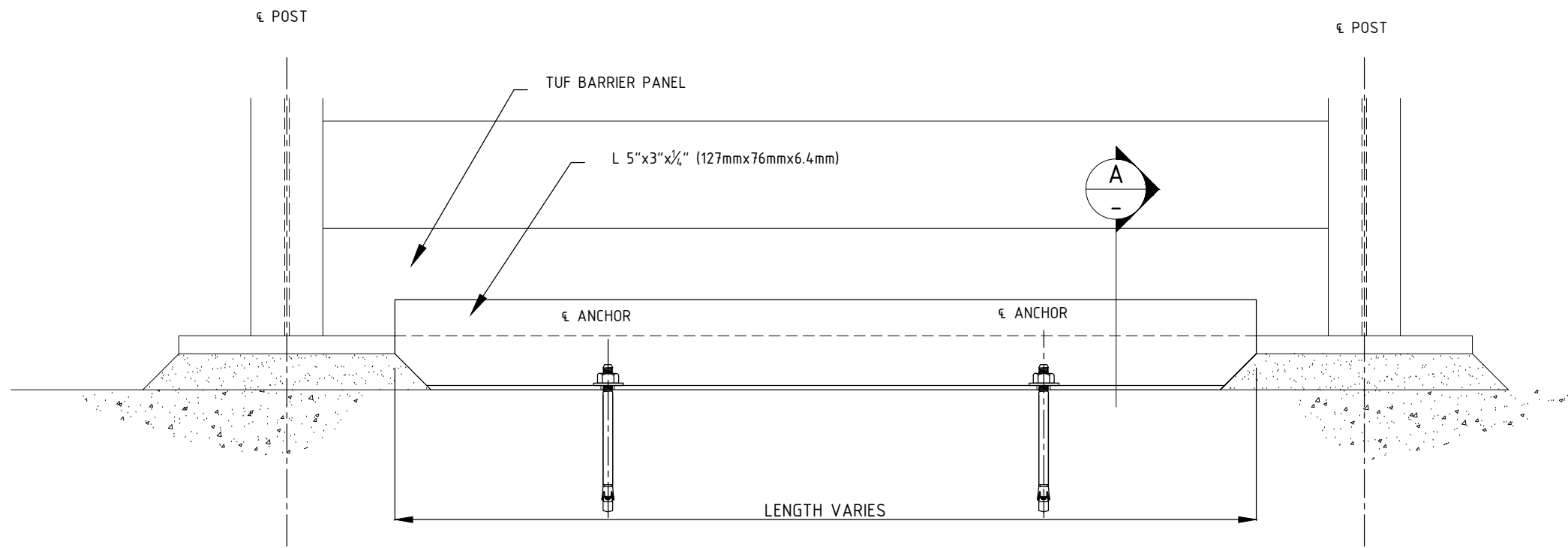
CALL TOLL FREE IN NORTH AMERICA
1-866-231-7867
www.ailsoundwalls.com www.ail.ca

SOUNDWALLS - STANDARD DRAWING
ACCESSORIES
JERSEY BARRIER DETAILS - EMBEDDED POST

DESIGNED	-	-	BRANCH P.O.	CUSTOMER REF.
DES. CHK	-	-		
DRAWN BY	R.E.	23 OCT 12	PROJECT NUMBER	STD DRAWING
DWG. CHK	P.A.S	30 NOV 12		DWG. NO. SW-430
				REV. 0



A SECTION - TYPICAL ANGLE CROSS SECTION
SCALE: N.T.S.



TYPICAL ELEVATION VIEW ANGLE DETAIL
SCALE: N.T.S.

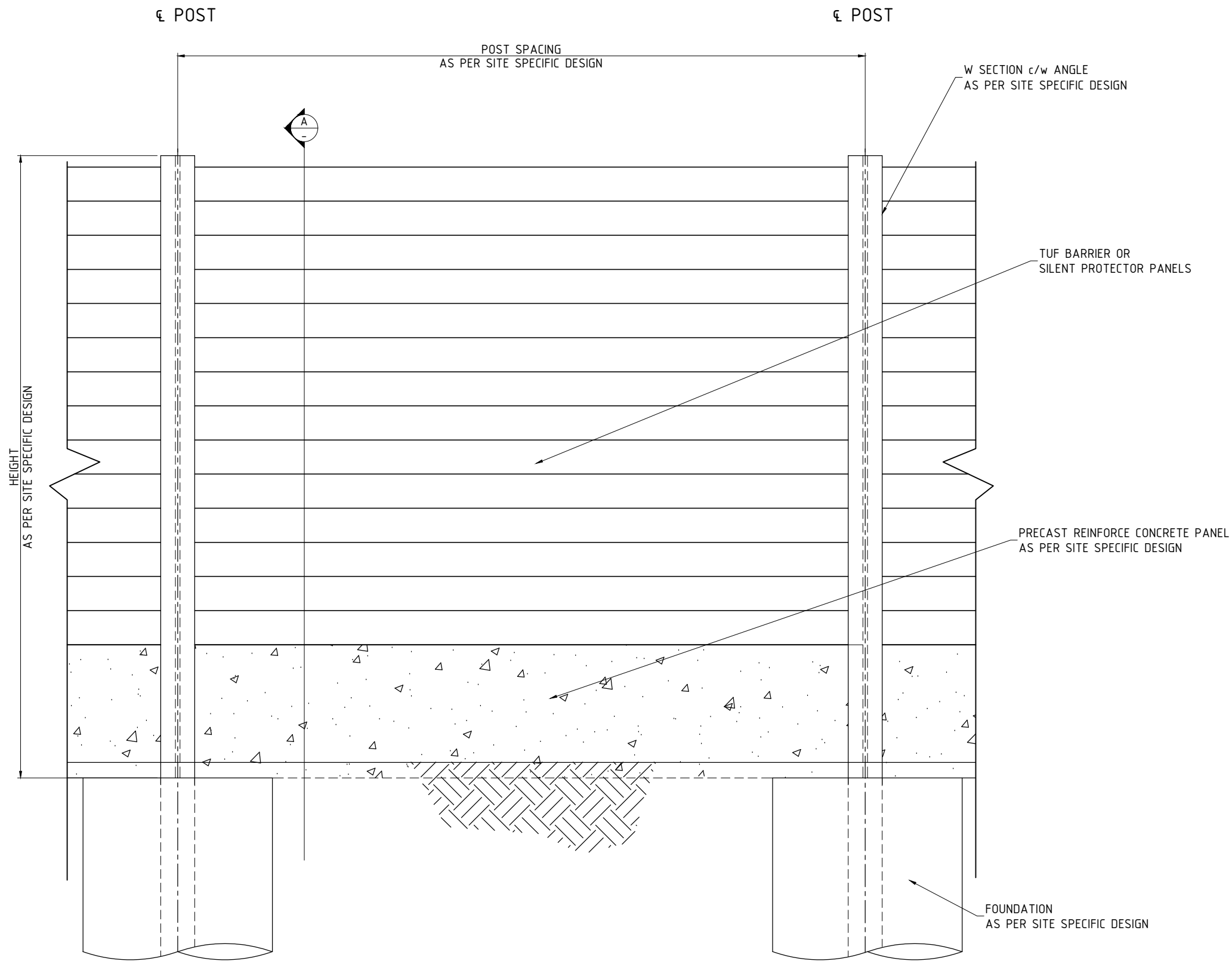
REV NO.	DATE	BY	DESCRIPTION
1	1 DEC 16	P.S.	GENERAL REVISIONS
0	30 NOV 12	R.E.	ISSUED AS STANDARD



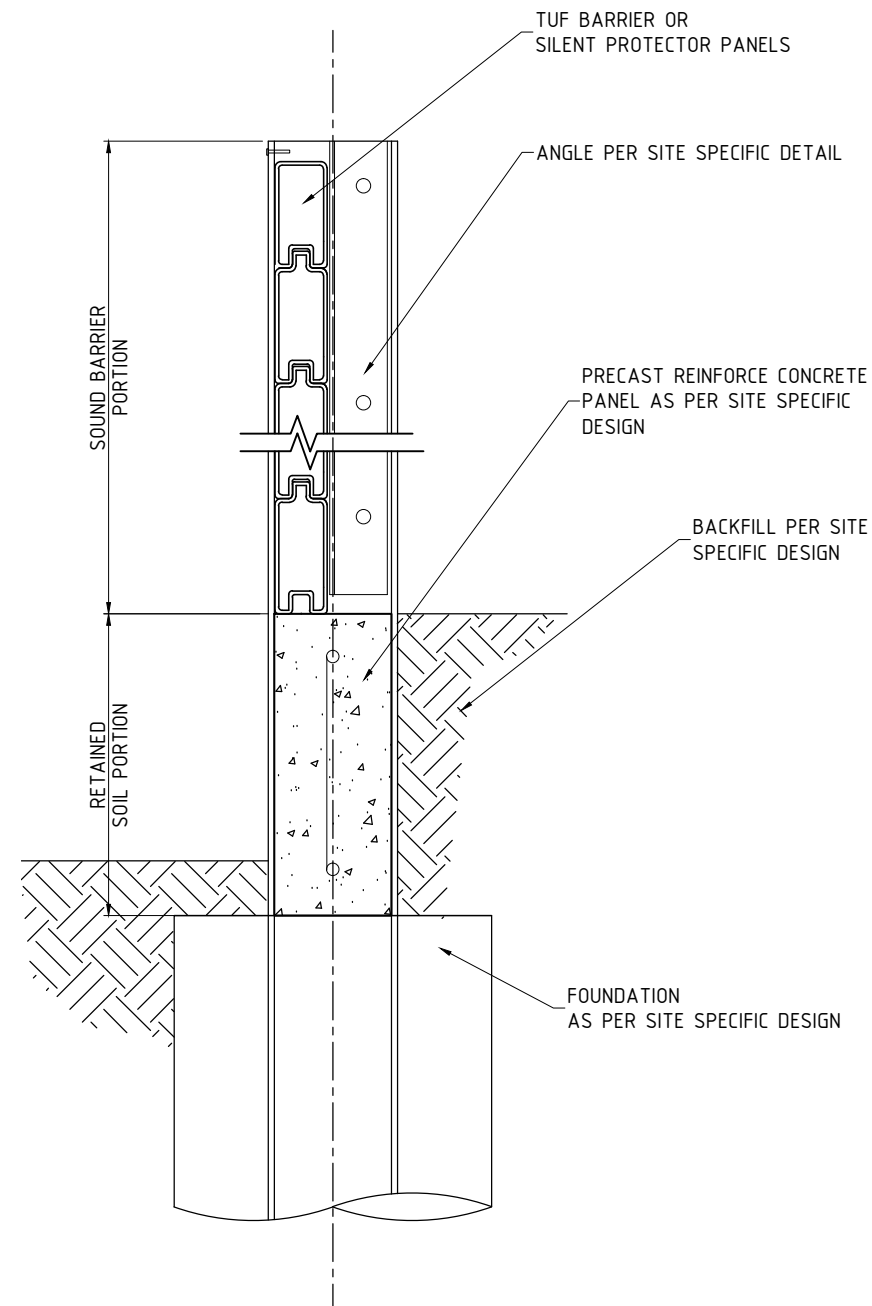
CALL TOLL FREE IN NORTH AMERICA
1-866-231-7867
www.ailsoundwalls.com www.ail.ca

SOUNDWALLS - STANDARD DRAWING
ACCESSORIES
STRUCTURE MOUNTED CLOSURE PLATE DETAIL

DESIGNED	-	-	BRANCH P.O.	CUSTOMER REF.
DES. CHK	-	-	-	-
DRAWN BY	R.E.	23 OCT 12	PROJECT NUMBER	STD DRAWING
DWG. CHK	P.A.S.	30 NOV 12	DWG. NO.	SW-440
			REV. NO.	1



TYPICAL ELEVATION VIEW
SCALE: N.T.S.



A SECTION - TYPICAL CROSS SECTION
SCALE: N.T.S.

REV NO.	DATE	BY	DESCRIPTION
0	30 NOV 12	R.E.	ISSUED AS STANDARD



CALL TOLL FREE IN NORTH AMERICA
 1-866-231-7867
 www.ailsoundwalls.com www.ail.ca

SOUNDWALLS - STANDARD DRAWING
 ACCESSORIES
 PRECAST REINFORCED CONCRETE PANEL- SOIL RETENTION

DESIGNED - -	BRANCH P.O. -	CUSTOMER REF. -
DES. CHK - -		
DRAWN BY R.E. 23 OCT 12	PROJECT NUMBER	STD DRAWING
DWG. CHK P.A.S. 30 NOV 12		DWG. NO. SW-450
		REV. 0