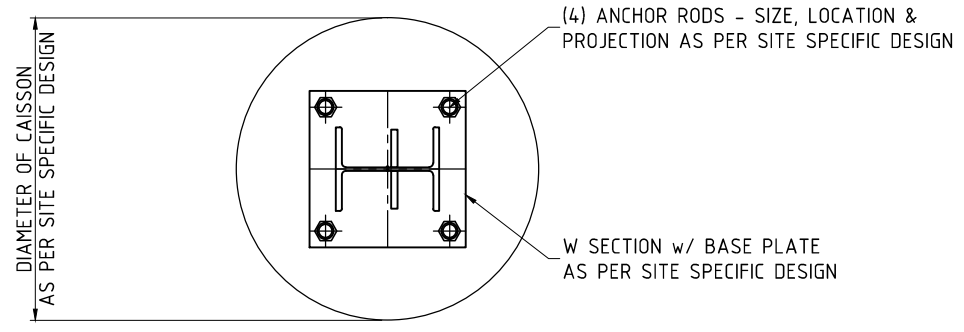
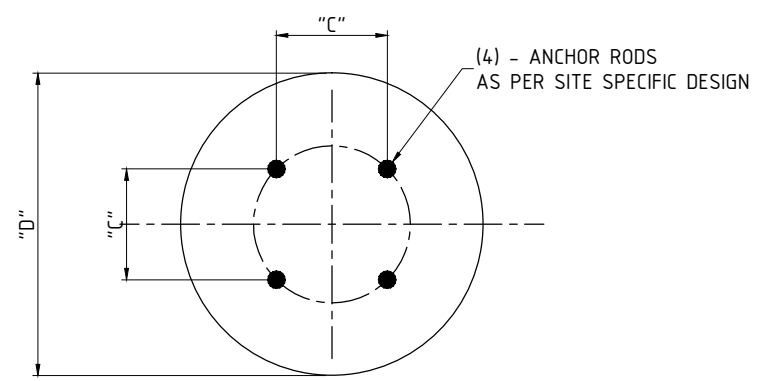


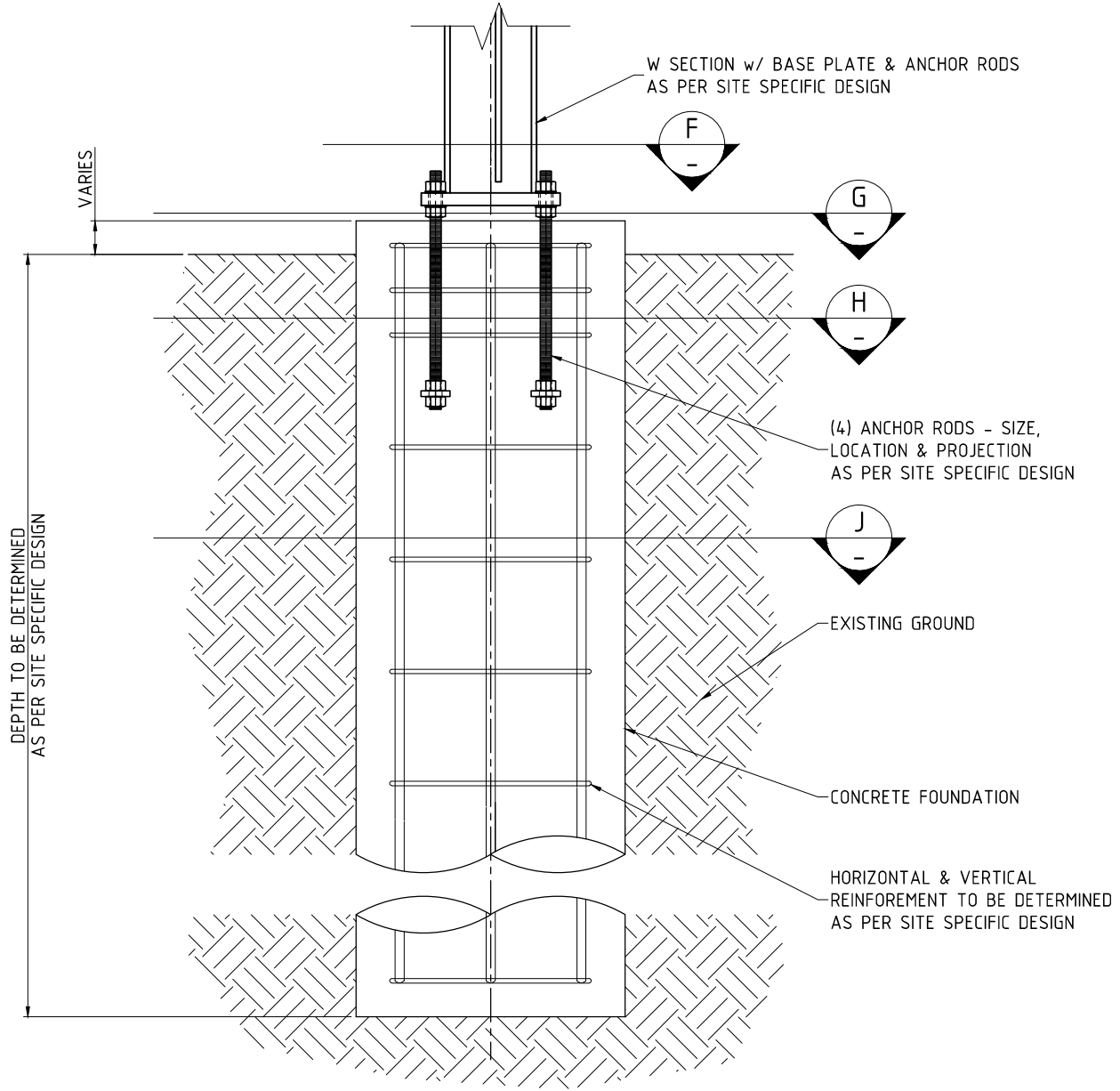
NOTES:
 1. DIMENSIONS ARE IN MILLIMETRES [INCHES]



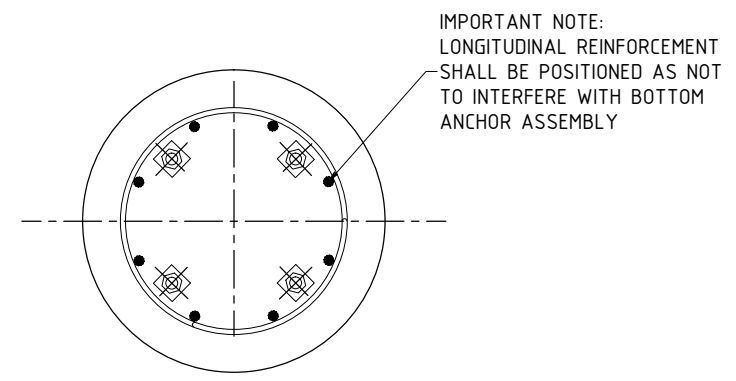
F SECTION - TYP. FOUNDATION CROSS SECTION
 SCALE: N.T.S.



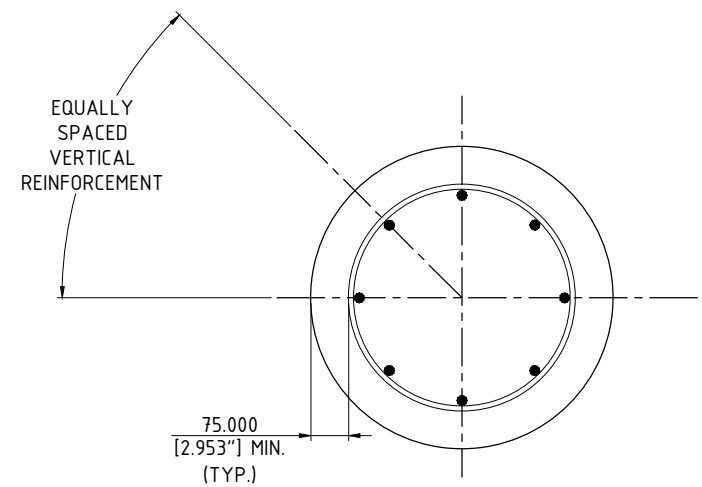
G SECTION - TYP. CROSS SECTION
 SCALE: N.T.S.



FLANGE MOUNTED FOUNDATION DETAIL
 SCALE: N.T.S.



H SECTION - TYP. CROSS SECTION
 SCALE: N.T.S.



J SECTION - TYP. CROSS SECTION
 SCALE: N.T.S.

REV NO.	DATE	BY	DESCRIPTION
1	1 DEC 2016	P.S.	GENERAL REVISIONS
0	30 NOV 12	R.E.	ISSUED AS STANDARD

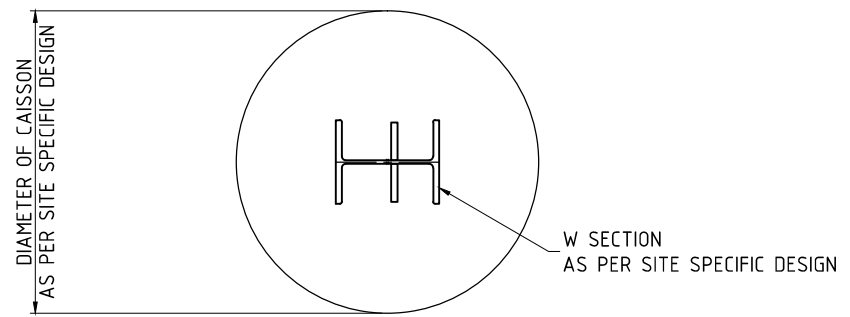


CALL TOLL FREE IN NORTH AMERICA
 1-866-231-7867
 www.ailsoundwalls.com www.ail.ca

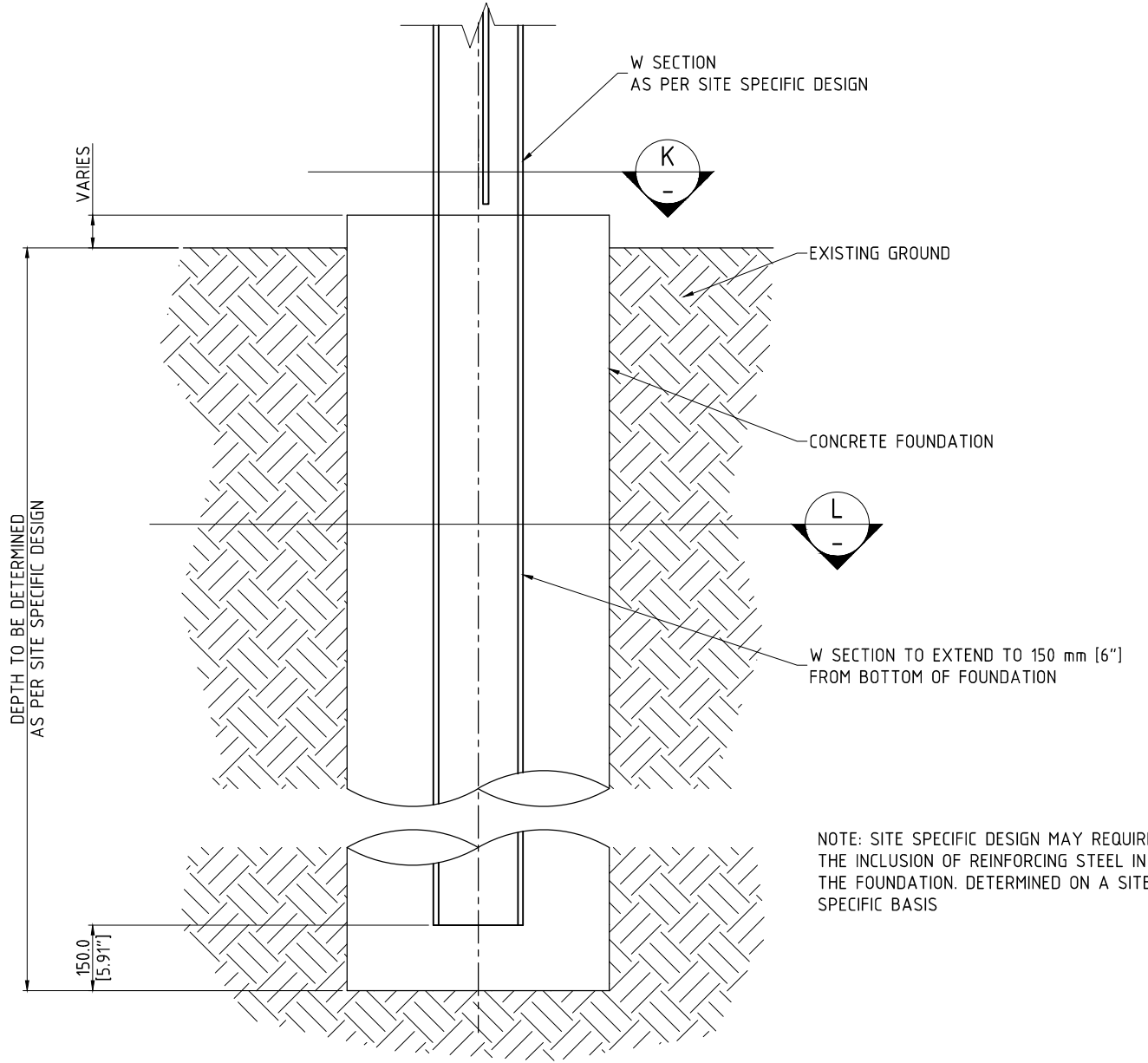
SOUNDWALLS - STANDARD DRAWING
 FOUNDATION DETAILS
 TYPICAL FOUNDATION DETAILS
 - FLANGE MOUNTED POST

DESIGNED - -	BRANCH P.O. -	CUSTOMER REF. -
DES. CHK - -		
DRAWN BY R.E. 23 OCT 12	PROJECT NUMBER	DWG NO. SW-200
DWG. CHK P.A.S. 30 NOV 12	STD DRAWING	REV. 1

NOTES:
1. DIMENSIONS ARE IN MILLIMETRES [INCHES]

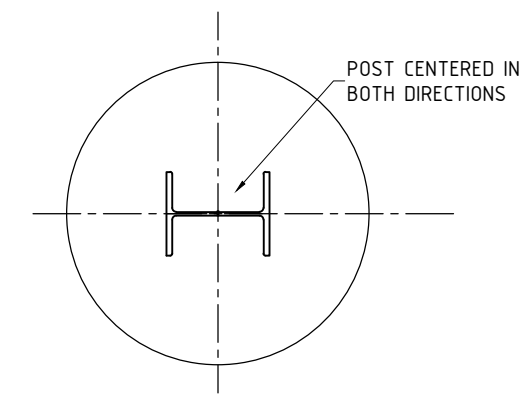


K SECTION - TYP. FOUNDATION CROSS SECTION
SCALE: N.T.S.



NOTE: SITE SPECIFIC DESIGN MAY REQUIRE THE INCLUSION OF REINFORCING STEEL IN THE FOUNDATION. DETERMINED ON A SITE SPECIFIC BASIS

DIRECT BURY POST FOUNDATION DETAIL
SCALE: NTS



L SECTION - TYP. CROSS SECTION
SCALE: N.T.S.

1	1 DEC 16	P.S.	GENERAL REVISIONS
0	30 NOV 12	R.E.	ISSUED AS STANDARD
REV NO.	DATE	BY	DESCRIPTION



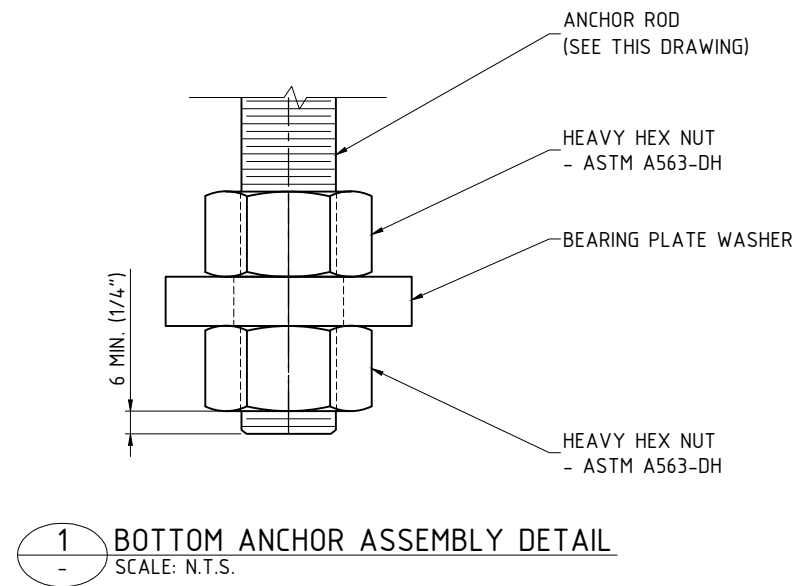
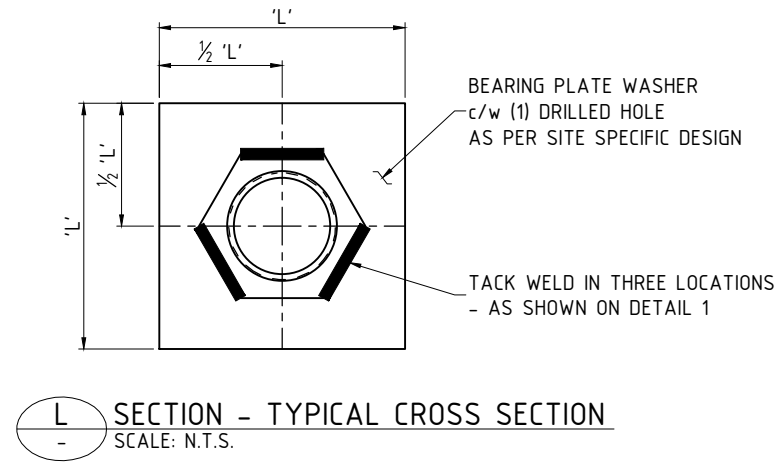
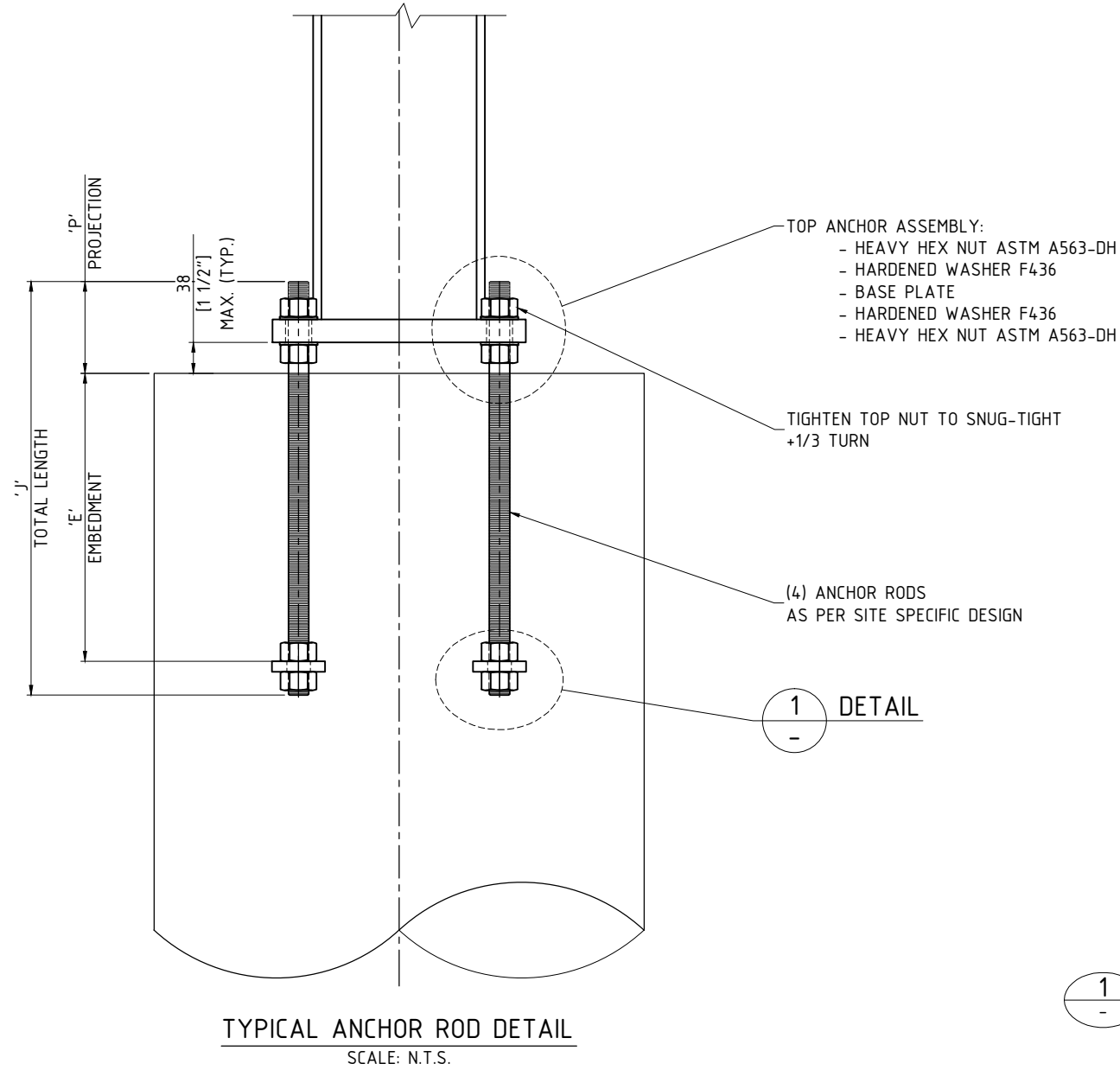
CALL TOLL FREE IN NORTH AMERICA
1-866-231-7867
www.ailsoundwalls.com www.ail.ca

SOUNDWALLS - STANDARD DRAWING
FOUNDATION DETAILS
TYPICAL FOUNDATION DETAILS
- DIRECT BURY POST

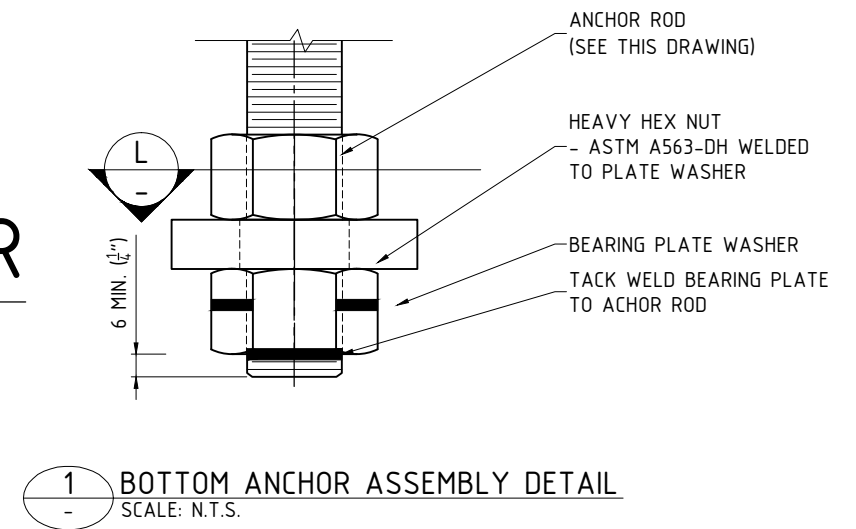
DESIGNED	-	-	BRANCH P.O.	CUSTOMER REF.
DES. CHK	-	-	-	-
DRAWN BY	R.E.	23 OCT 12	PROJECT NUMBER	STD DRAWING
DWG. CHK	P.A.S	30 NOV 12	DWG. NO.	SW-210
			REV.	1

NOTES:

1. DIMENSIONS ARE IN MILLIMETRES [INCHES]
2. J = TOTAL LENGTH
E = EMBEDMENT
P = PROJECTION
L = SIZE OF BEARING PLATE WASHER
ALL DETERMINED ON A SITE SPECIFIC BASIS



OR



REV NO.	DATE	BY	DESCRIPTION
1	1 DEC 16	P.S.	GENERAL REVISIONS
0	30 NOV 12	R.E.	ISSUED AS STANDARD



CALL TOLL FREE IN NORTH AMERICA
1-866-231-7867
www.ailsoundwalls.com www.ail.ca

SOUNDWALLS - STANDARD DRAWING
FOUNDATION DETAILS
TYPICAL ANCHOR ROD DETAILS FOR GROUND MOUNTED POSTS

DESIGNED	DES. CHK	DRAWN BY	DWG. CHK	DATE	PROJECT NUMBER	BRANCH P.O.	CUSTOMER REF.
-	-	R.E.	P.A.S.	23 OCT 12 30 NOV 12	STD DRAWING	-	-

DWG. NO. SW-220 REV. 1